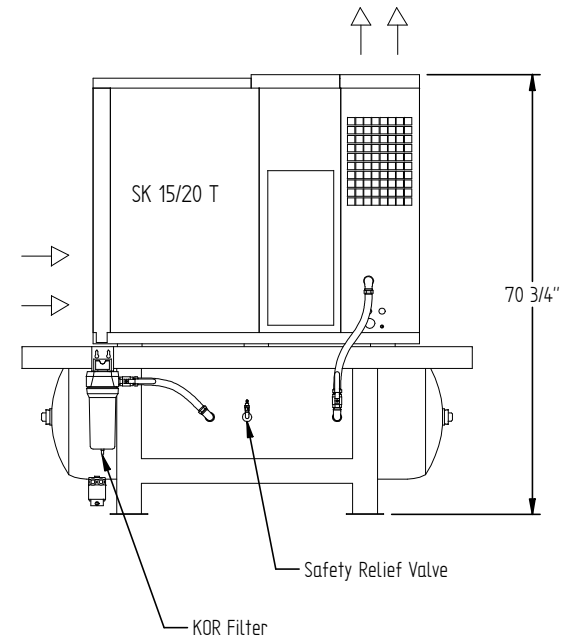
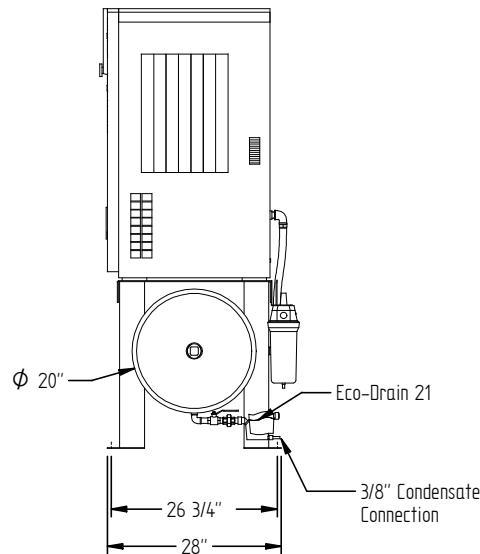
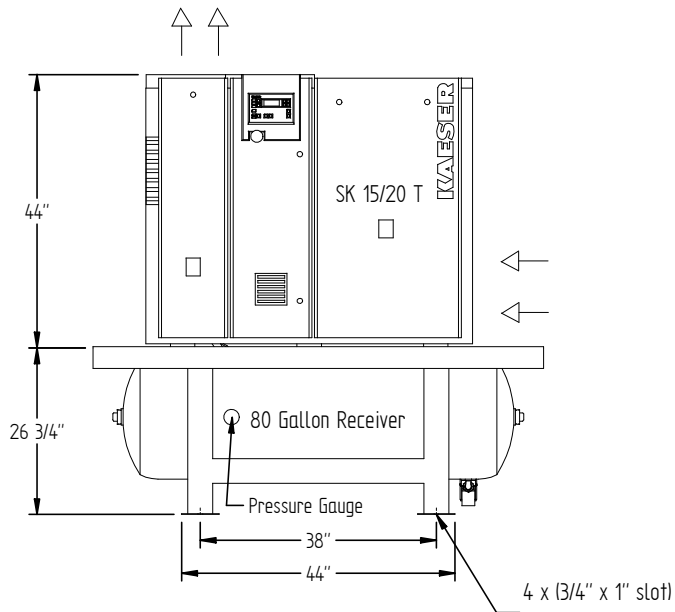
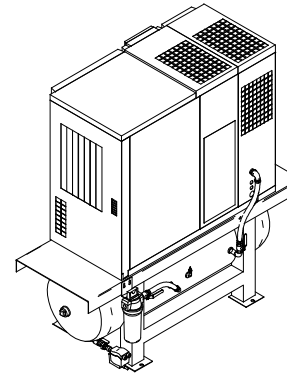
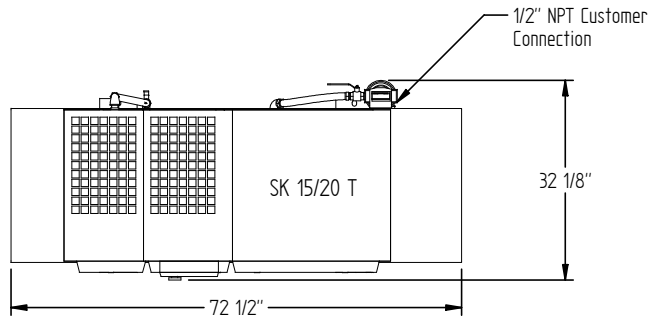


Drawings remain our exclusive property. They are entrusted only for the agreed purpose. Copies or any other reproduction, including storage, treatment and dissemination by use of electronic systems must not be made for any other than the agreed purpose. Neither originals nor reproductions may be given to or made available to third parties.



*Package shown with optional features

All Dimensions are in inches

Ambient Temperature
 min.: 40°F
 max.: 115°F

KAESER COMPRESSORS	P + I <input type="checkbox"/>	Scale 1:20	Date	Name
	Inst. <input checked="" type="checkbox"/>		1/20/2006	kemph
			Checked	10/18/2005 Horney
Name SKT Simplex Integral Referigerated Dryer, 80 Gallon Receiver Optional Filter and Condensate Drain			Plan No. LYUS0000100	
			Page 1 of 1	

We reserve the right to make changes in the course of development. This drawing can only be modified with CAD